



YUGMAN

ReFlex

Torsionally Flexible Jaw Coupling



About Us

Yugman Transmission LLP is a leading concern engaged in the manufacturing of Keyless locking assembly, Shrink Disc, Flexible Shaft Coupling, Bellow Coupling.

Serving the demands of various industry verticals, our range of products are offered to our clients in standard and customized specifications

We are a quality conscious organization that strives to match its entire range of products with the international standards prescribed by the industry.

We serve Material Handling, Printing & Packaging, Machine Tool and SPM, Cement, Steel, Sugar Industry. We are flexible to develop Taylor made product as per customer design requirements.

We are equipped with all the requisite machines and quality inspection equipment to achieve bulk production targets.

Equipped ourselves with CAD and other advance computer aided techniques that assist us in keeping in pace with the changing times.

Reflex Torsionally Flexible Jaw Coupling

ReFlex hubs are manufactured with high precision machining. Coupling consist of three piece assembly; two Hubs and one spider. The concave shape in jaws of hub and the convex shape on the Polyurethane spider are assembled co-axially and with certain pre-stress. After assembly these couplings becomes sufficient flexible and backlash free.

ReFlex couplings with clamping hubs are conceived for fast and safe installation or de-installation. They have no Keyway. The tightening torque on the clamping screw must be maintained in order to ensure reliable frictional locking torque transmission.

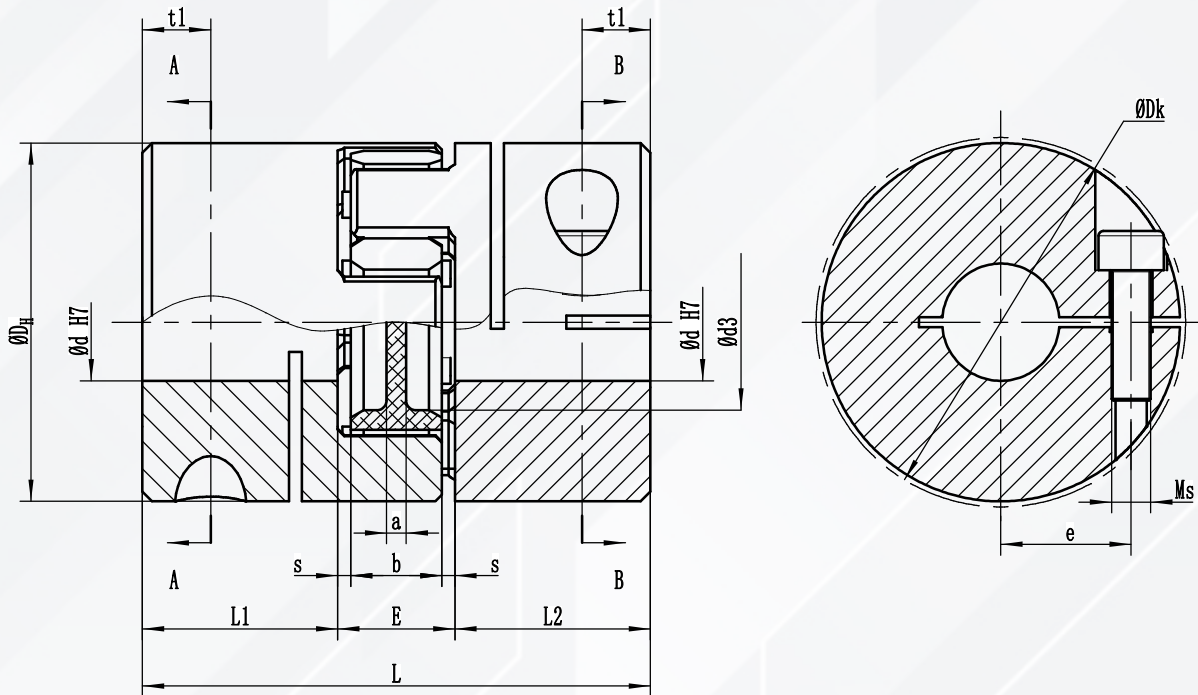
The Hubs are made of Aluminium and Spider from high grade temperature resistance Polyurethane. Spiders can be offered in different hardness 92A/98A/64D to suit the different application and torque rating.

The hubs can be offered in pilot bore, Finish bore and different clamping arrangements as per customer requirement. For specific application hubs can be offered in Steel material.

Features

- Torsionally Flexible
- Backlash free
- Torsional vibration and Damping capacity
- Compensate Radial and Axial deviation
- Electrical and Frequency Isolation
- Finish bore tolerance respect to ISO H7, DIN6885-1 and for keyways JS9

Technical and Dimension details



Material RE-GS Size 19~38 in high-strength Aluminum Alloy, Size 42~90 in Steel

Model RE-GS	Torque (Nm)			Dimensions(mm)											Screws	Tightening torque Nm
	92sh-A	98sh-A	64sh-D	D	d1 (min-max)	d2	L	L1;L2	E	k	b	t	t1	t2	M _s	T _A
9	3	5	6	20	4-11	7.2	30	10	10	7.5	8	1	5	1.5	M2.5	0.76
12	5	9	12	25	5-12	8.5	34	11	12	9	10	1	5	3.5	M3	1.34
14	8	13	16	30	5-16	10.5	35	11	13	11.5	10	1.5	5	2	M3	1.34
19	10	17	21	41	8-22	18	66	25	16	14.5	12	2	11	3	M6	10.5
24	35	60	75	56	10-28	27	78	30	18	20	14	2	10.5	3	M6	10.5
28	95	160	200	66	14-38	30	90	35	20	25	15	2.5	11.5	4	M8	25
38	190	325	405	80	15-45	38	114	45	24	30	18	3	15.5	4	M8	25

Spider Details:

ReFLEX spiders are manufactured from high grade polyurethane. **ReFLEX** are available in three different hardness as 64 Shore D, 92 Shore A, and 98 Shore A. This different hardness's are made available to suit different applications. The details are as below.

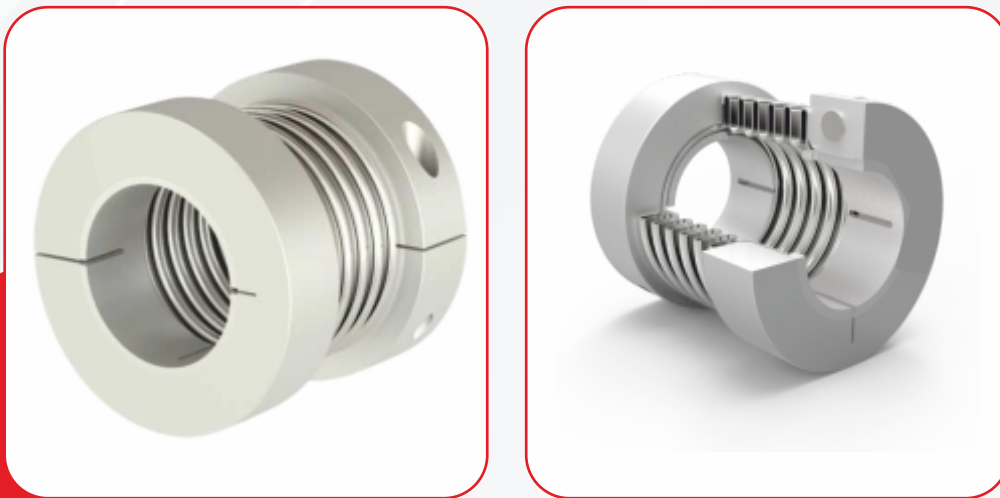
Spider Shore Hardness	Colour	Temperature Range °C	Application
92 Shore A	Yellow	-40°C to +90°C	Low torque, more mis-alignment
98 Shore A	Red	-30°C to +90°C	Medium torque, Medium mis-alignment
64 Shore D	Green	-30°C to +100°C	More torque, Less mis-alignment

Our Other Products

Keyless Locking Assembly / Locking Device / Shrink Disc



YugFlex Metal Bellow Coupling



YUGMAN TRANSMISSION LLP

Address : A-110/1, Balaji Prasad Apt., 471,
Shaniwar Peth, Pune-411030 Maharashtra, India
Mob.: 9960181685 | Email- sales@yugmanllp.com
Web.: www.yugmanllp.com

- Locking Device
- Flexible Coupling
- Shrink Disc
- Bellow Coupling